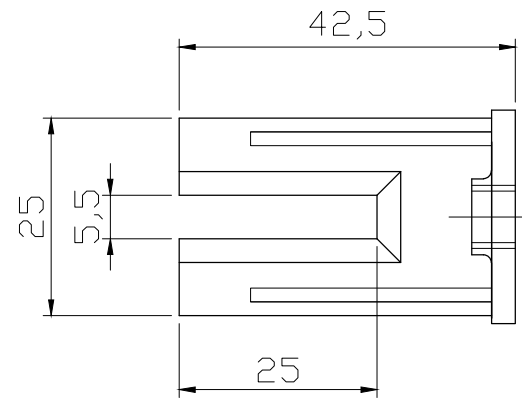
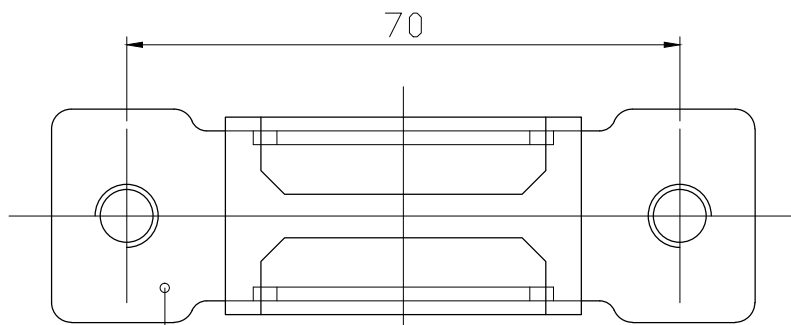


1		2		3		4		5		6	
REV	ZONE	DESCRIPTION			DATE & ISSUED BY			APPROVED BY	3rd ANGLE PROJECTION	Development & Dash Co., LTD.	
								DRAWN BY	CHECKERED BY	NAME	UP DOOR SHOE
										DWG NO	DAET499
								G NO			REV
								03	02	01	DRAWING NO
											NO
											PART NAME
											MATERIAL
											REMARKS



DOOR SHOE BK
SS400*3T

아세틸

<CHANGE FROM 19.5 TO 25>>

